

MAGNOLIA

MAGNOLIA

MAGNOLIA

LOVING BRANCH

AZALEA

CEDAR RIDGE

STREET A

WALKER CROSSING

CANTON CROSSING

Lantana Golf Course

LANIANA TRAIL

BRENHAM

PERRY ROAD

KEELER ST.

BRENHAM

BELLAIRE ADDITION PHASE B

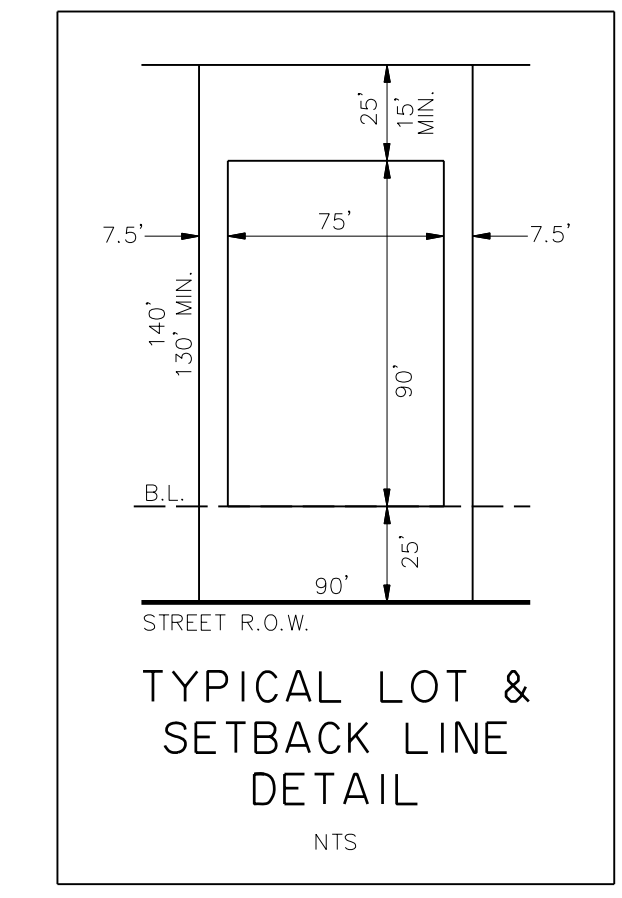
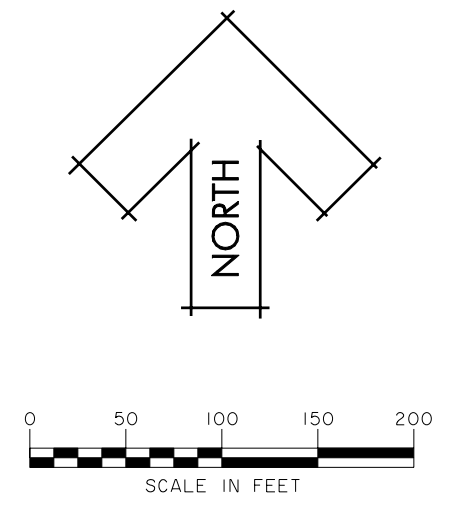
BELLAIRE ADDITION PHASE A

Lantana Golf Course

Fairway 6

Green 6

Tee Box (Typ.)



SITE DATA

8.56 Acres (Gross)  
 0.34 Acres - Landscape Area / Open Space  
 2.45 DENSITY AT GROSS ACRES



LANTANA

BELLAIRE ADDITION  
 PHASE C  
 LOT EXHIBIT

21 LOTS  
 8.56 ACRES (Gross)  
 DENTON COUNTY, TEXAS

Owner/Developer  
 Bellaire /Lantana III, L.P.

Prepared By:  
 HUITT-ZOLIARS

Mark Wagner  
 8401 North Central Expressway  
 Suite 350 Dallas, TX 75225  
 Phone 214-292-3410 Fax 214-292-3411

1717 McKinney Ave., Suite 1400 Dallas, Texas 75202  
 Phone (214) 871-3311 Fax (214) 871-0757  
 Contact: Kevin N. Carlson, P.E.  
 email: kcarlson@huit-zollars.com

November 14, 2011